

CALIPSD-BI18WW CALIPSD-BI18WP

www.black.honeywell.com

18x 2 Megapixel High Definition Weatherproof IP IR PTZ Camera

High Performance IP Camera at an Economical Price

Honeywell Black™ CALIPSD-BI18WW/WP is a weatherproof IP IR PTZ camera designed for small-scale outdoor security applications. Featuring 2 Megapixel sensor (1920H x 1080V), 18x optical zoom, TDN, DWDR, 360° continuous rotation, and IR beam distance up to 100m, this PTZ camera delivers high quality and sharp images at a very economical price.

Advanced Features

Featuring True Day/Night with IR-cut filter and built-in IR led, the camera can automatically switch to black and white in pitch black conditions and also gives an IR beam distance of up to 100 meters, providing superior images at both day and night time.

Equipped with 2 Megapixel (1920H x 1080V) sensor and 18x optical zoom lens, the CALIPSD-BI18WW/WP delivers 1080P high resolution image at 25fps real time. Equipped with IP66 weatherproof, 4000V lightning protection and anti-surge protection housing, the CALIPSD-BI18WW/WP guarantees outstanding outdoor surveillance applications.

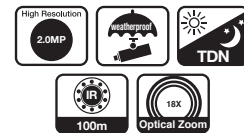
The CALIPSD-BI18WW/WP comes with a free CMS software CAL-CMS200 which provides rich functions such as video management, user management, storage, video output, etc. It's also compatible with Honeywell Black™ CALNVR series to develop a high performance system.

Market Opportunities

Featuring 2 Megapixel sensor (1920H x 1080V), 18x optical zoom, TDN, DWDR, 360° continuous rotation, IP66 weatherproof, and IR beam distance up to 100m, CALIPSD-BI18WW/WP delivers high quality and sharp images for surveillance at car parks, highways, shopping centers, hotels, residential areas, campuses and so forth

FEATURES

- 2 Megapixel (1920H x 1080V), 1080P HD resolution
- High-profile H.264 compression, support dual-stream
- 1080P real-time video output
- Built-in 18x optical zoom lens
- True Day / Night with automatic removable IR cut filter, DWDR
- IR beam distance: 100 meters
- Minimum illumination: Color: 0.01Lux, Black / White: 0.0 Lux (IR On)
- Privacy Masking, 3DNR, AWB
- 360° continuous horizontal rotation, -2° ~ 90° vertical auto-rotation, 180°continuous monitoring
- Key control: Horizontal 0.1° ~ 160° / sec; vertical 0.1° ~ 120° / sec
- Preset: 255; 8 auto cruise, 5 auto patrol tracks, 5 auto scan
- IP66 weatherproof, 4000V lightning protection, anti-surge protection
- Power: DC12V
- ONVIF Compliant
- Free CAL-CMS200 central management software compatible
- CALNVRView: free Android and Apple app give you full access to your surveillance system anytime, anywhere



CALIPSD-BI18WW CALIPSD-BI18WP

www.black.honeywell.com

18x 2 Megapixel High Definition Weatherproof IP IR PTZ Camera

SPECIFICATIONS

Model	CALIPSD-B18WW	CALIPSD-B18WP
Image Sensor	1/2.8" CMOS	
Effective Pixels	1920 x 1080	
Video Standard	PAL / NTSC	
Gain Control	Auto	
S/N ratio	Over 50dB	
White Balance	Auto	
Minimum Illumination	Color: 0.01Lux @ (F1.2,AGC ON), 0 Lux (IR ON) B/W: 0.001 Lux @ (F1.2,AGC ON), 0 Lux (IR ON)	
DWDR	ON/OFF	
Digital Noise Reduction	3D Noise Reduction	
Shutter	1/25 – 1/10,000s	
Day & Night	TDN, IR cut removable	
Watermark	Support	
Privacy Protection	ON / OFF (4 privacy zones set on one screen)	
Focal Length	4.7-84.6mm (F1.5-3.6)	
Optical Zoom	18X	
Angle of View	H: 45° (Wide) ~3.1°(Tele) V: 34° (Wide) ~2.3°(Tele)	
IR Led Control	Auto / Long range / Short range/ OFF	
IR Beam Distance	100 meters	
P/T Range	Horizontal: 0°~360° Continuous rotation vertical: -2°~ 90° auto-rotation	
P/T Speed	Key control: Horizontal 0.1° ~ 160° / s; vertical 0.1° ~ 120° / s Preset: Horizontal 240° / s; vertical 200° / s.	
Preset	255	
Auto Cruise	8 auto cruise, 4 auto patrol tracks, 4 auto scan.	
PTZ Control	Support free movement, three-dimensional positioning, human-oriented focal length / speed automatic matching, power off memory.	
Video Compression	H.264	
Image Resolution	Main-stream 50Hz: 25fp (2M: 1920 x 1080) 60Hz: 30fps (2M: 1920 x 1080) Sub-stream 50Hz: 25fps (D1: 704 x 576) 60Hz: 30fps (D1: 704 x 480)	
Protocol	TCP/IP, HTTP, DDNS, DHCP, NTP, PPPoE, FTP, SMTP, RTSP, RTP	
Storage	Network storage	
Error Detection	Network disconnection detection, IP conflict detection, encoder state detection, storage space detection.	
Ethernet	1 RJ45 10M / 100M self adaptive Ethernet interface	
Software		
CMS	CAL-CMS200	
Mobile View APP	CALNVRView for iPhone, iPad, Android	
Others		
Operating Condition	Temperature -40°(with heater)~65°C; Humidity < 90%	
IP Protection	IP66, 4000V Lightning protection and anti-surge protection	
Power Supply	DC 12V/5A (±20%)	
Power Consumption	Max: 35W (without heater)	

CALIPSD-BI18WW

CALIPSD-BI18WP

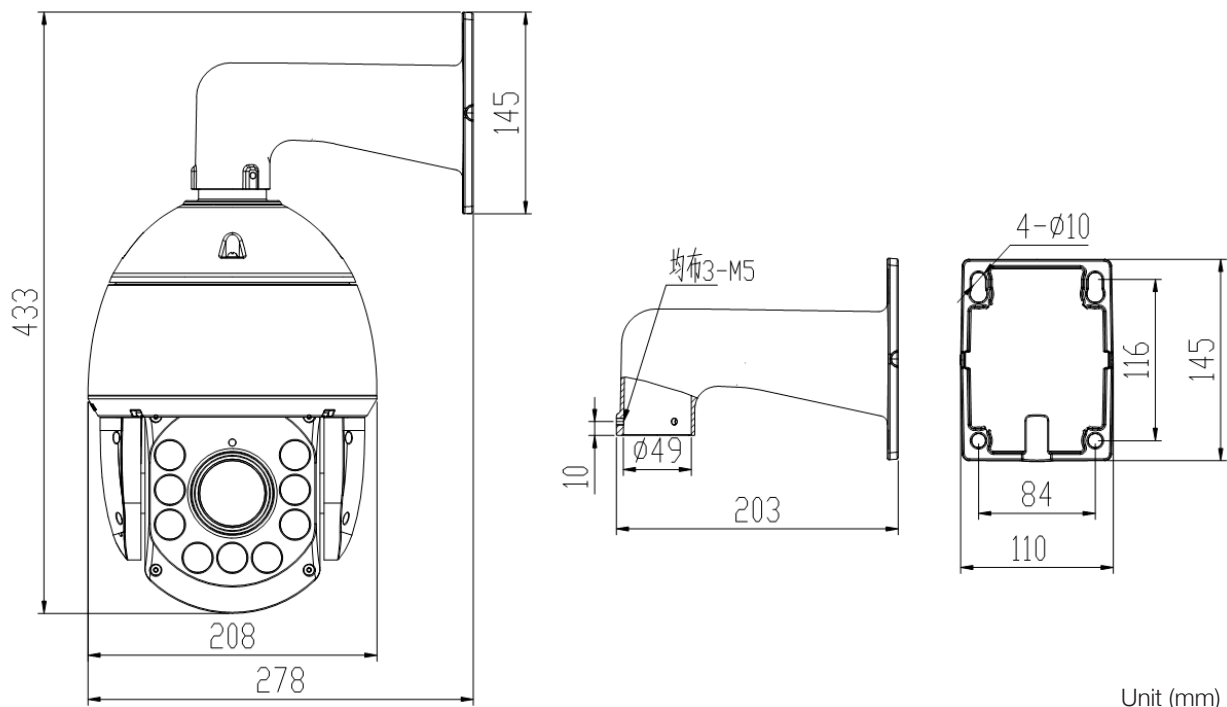
www.black.honeywell.com

18x 2 Megapixel High Definition Weatherproof IP IR PTZ Camera

Model	CALIPSD-BI18WW	CALIPSD-BI18WP
Dimension	Φ208mm x 443mm	
Weight	4.2KG	
Mounting	Wall Mount	Pendant Mount
Certificate	CE, FCC, C-tick	

Note: Honeywell reserves the right, without notification, to make changes in product design or specifications.

DIMENSION



CALIPSD-BI18WW CALIPSD-BI18WP

www.black.honeywell.com

18x 2 Megapixel High Definition Weatherproof IP IR PTZ Camera

ORDERING

CALIPSD-BI18WW	Weatherproof PTZ Camera, 2 Megapixel CMOS sensor, 1080P 25fps18x optical zoom, DWDR, IR beam distance: 100m, TDN, IP66, 12VDC, ONVIF, Horizontal: 0°~360°continuous rotation; Vertical: -2°~ 90°auto-rotation, Preset: Horizontal 240°/ s; Vertical 200° / s, Wall mount
CALIPSD-BI18WP	Weatherproof PTZ Camera, 2 Megapixel CMOS sensor, 1080P 25fps18x optical zoom, DWDR, IR beam distance: 100m, TDN, IP66, 12VDC, ONVIF, Horizontal: 0°~360°continuous rotation; Vertical: -2°~ 90°auto-rotation, Preset: Horizontal 240°/ s; Vertical 200° / s, Pendant mount

For more information:

Security East Asia
Security Pacific
Security India
Security Middle East & N.Africa
Security Russia
Security China
Security Korea

Tel: (852) 2405 2323
Tel: 1300 234 234
Tel: (91) 124 4975000
Tel: (971) 4454 1704
Tel: (7) 495 7979371
Tel: (86) 400 8800 330
Tel: (82) 2799 6114



www.black.honeywell.com
security.black@honeywell.com

Honeywell Security Group
Automation & Control Solutions
Honeywell International Inc.
www.security.honeywell.com



May 2015
© 2015 Honeywell International Inc.