

CALIPD-BI36-V(P) CALIPD-BI60-V(P)

www.black.honeywell.com

2 Megapixel High Definition TDN IR Vandal-Proof IP Dome Camera

High Performance IP Camera at an Economical Price

Available in 3.6mm / 6mm built-in fixed lens, Honeywell Black™ CALIPD-BI36/60-V(P) is an IP dome camera designed for small-scale surveillance application. Equipped with 2 Megapixel (1920H x 1080V) sensor, the camera delivers 1080P high resolution image at @25fps. The vandal-proof and IP66 weather-proof housing makes it suitable for installation in harsh outdoor areas.

Advanced Features

Featuring True Day/Night with IR-cut filter and built-in IR led, the camera can automatically switch to black and white in pitch black conditions and also gives an IR beam distance of up to 20 meters, providing superior images at both day and night time.

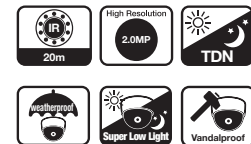
The CALIPD-BI36/60-V(P) comes with a free CMS software CAL-CMS200 which provides rich functions such as video management, user management, storage, video output, etc. It's also compatible with the free mobile App software CALNVRView, which makes it easy to remotely access the NVR through any of the supported mobile devices including iPhone, iPad, or Android Smartphone.

Market Opportunities

Available in 3.6mm / 6mm built-in fixed lens, Honeywell Black™ CALIPD-BI36/60-V(P) is designed for small surveillance application at very budget-friendly price. Featuring 2 megapixel (1920H x 1080V) sensor, 1080P high resolution image, TDN function, up to 20 meters IR night vision and optional PoE function, it is ideal for hotels, chain stores, commercial offices, hospitals, residential areas, warehouse, and education facilities and so on.

FEATURES

- 2 Megapixel (1920H x 1080V), 1080P HD resolution
- Main-profile H.264 compression, support dual-stream
- 1080P real-time video output
- 3.6mm / 6mm fixed lens
- IR beam distance: 10~20m
- True Day / Night with automatic removable IR cut filter, DWDR
- Minimum illumination: Color: 0.01Lux, Black / White: 0.001 Lux (0 Lux: IR On)
- Motion detection, Privacy Masking, Mirror, Flip, Anti-flicker
- Vandal-proof and IP66 weather-proof
- Power: DC12V (CALIPD-BI36/60-V), DC12V/PoE (CALIPD-BI36/60-VP)
- ONVIF Compliant
- Free CAL-CMS200 central management software compatible
- CALNVRView: free Android and Apple app give you full access to your surveillance system anytime, anywhere



CALIPD-BI36-V(P)

CALIPD-BI60-V(P)

www.black.honeywell.com

2 Megapixel High Definition TDN IR Vandal-Proof IP Dome Camera

SPECIFICATIONS

| Model | CALIPD-BI36/60-V | CALIPD-BI36/60-VP |
|--------------------------------|---|-------------------|
| Image Sensor | 1/2.8" CMOS | |
| Effective Pixels | 1920 x 1080 | |
| Minimum Illumination | Color: 0.01Lux @ (F1.2,AGC ON), 0 Lux (IR ON) B/W: 0.001 Lux @ (F1.2,AGC ON), 0 Lux (IR ON) | |
| Shutter Speed | Auto, 1/50 (1/60)s, 1/120s, 1/250s, 1/500s, 1/1000s, 1/2000s, 1/4000s, 1/10,000s (millisecond adjustable) | |
| Lens | 3.6mm / 6mm fixed lens | |
| IR Beam Distance | 10-20m | |
| Day & Night | TDN, IR cut removable | |
| DWDR | ON/OFF | |
| Auto Gain Control | ON/OFF, 0~100 adjustable | |
| Slow Shutter | None, Low, Medium, High | |
| NT Level (DNR) | Day / Night 0~5 adjustable | |
| Image Set | Brightness, Contrast, Saturation, Hue can be customized through CMS client and IE browser | |
| OSD Display | Time title, Channel title | |
| Image & Compression | | |
| Video Compression | H.264 dual-stream | |
| Image Resolution & Frame Rate | Main Stream: 50Hz: 25fps (1920 x 1080), (1280 x 720) 60Hz: 30fps (920 x 1080), (1280 x 720) Sub Stream: 50Hz: 25fps (D1: 704 x 576), (CIF: 352 x 288) 60Hz: 30fps (D1: 704 x 480), (CIF: 352 x 2440) | |
| Bite Rate | 32Kbps~8Mbps (H.264), Image resolution lowest / lower / general / high / higher / highest selectable | |
| Bite Rate Type | CBR / VBR | |
| Audio Compression | G.711a | |
| Watermark | ON/OFF | |
| Network | | |
| Network Interface Protocol | ONVIF 2.0 | |
| Support Protocol | TCP/IP, HTTP, DHCP, DNS, DDNS, PPPoE, SMTP, NTP (HTTPS, SIP, 802.1x, IPv6) | |
| Browser | IE6.0 to IE11.0 | |
| Alarm Trigger | Video motion, video blind, video loss, device disconnect | |
| Motion Detection | 396 zones | |
| Privacy Masking (Region Cover) | 4 zones | |
| Max. User Access | 5 users | |
| General Functions | Anti-flicker, dual stream, heartbeat, password protection | |
| Interface | | |
| Ethernet | 1 RJ45 10M / 100M self adaptive Ethernet interface | |
| Audio Interface | 1 CH RCA Audio input | |
| Storage | Network Storage | |
| Software | | |
| CMS | CAL-CMS200 | |
| Mobile View APP | CALNVRView for iPhone, iPad, Android | |
| Others | | |
| Operating Temperature | -10°C~60°C | |
| Operating Humidity | Less than 90% (non-condensing) | |
| Power Supply | DC12V±10% | DC12V±10%, PoE |

CALIPD-BI36-V(P) CALIPD-BI60-V(P)

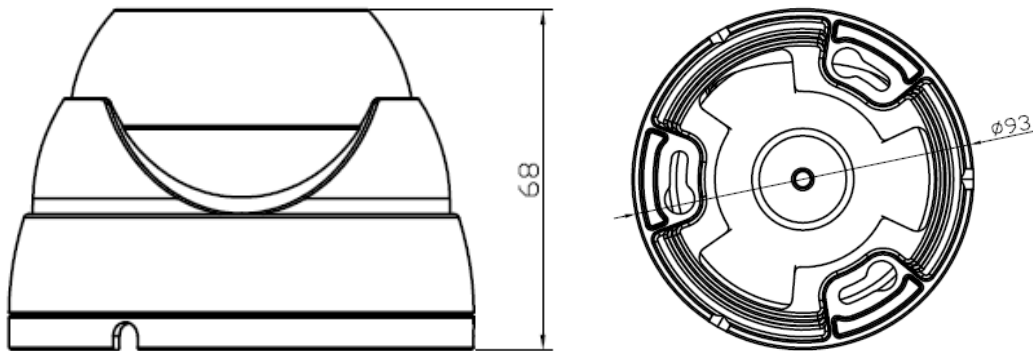
www.black.honeywell.com

2 Megapixel High Definition TDN IR Vandal-Proof IP Dome Camera

| Model | CALIPD-BI36/60-V | CALIPD-BI36/60-VP |
|---------------------------|------------------|-------------------|
| Power over Ethernet (PoE) | N/A | IEEE 802.3af |
| Dimension | Φ93mm x 68mm | |
| Weight | 300g | |
| IP Protection | IP66 | |
| Certificate | CE, FCC ,C-tick | |

Note: Honeywell reserves the right, without notification, to make changes in product design and/or specifications.

DIMENSION



ORDERING

| | |
|----------------|---|
| CALIPD-BI36V | IR Dome Camera, Vandal-proof, 2 Megapixel, 1/2.8" CMOS, 1080P 25fps, TDN, IR beam distance: 10~20M, 3.6mm fixed lens, IP66, 12DVC, ONVIF |
| CALIPD-BI60-V | IR Dome Camera, Vandal-proof, 2 Megapixel, 1/2.8" CMOS, 1080P 25fps, TDN, IR beam distance: 10~20M, 6mm fixed lens, IP66, 12DVC, ONVIF |
| CALIPD-BI36-VP | IR Dome Camera, Vandal-proof, 2 Megapixel, 1/2.8" CMOS, 1080P 25fps, TDN, IR beam distance: 10~20M, 3.6mm fixed lens, IP66, 12DVC, PoE, ONVIF |
| CALIPD-BI60-VP | IR Dome Camera, Vandal-proof, 2 Megapixel, 1/2.8" CMOS, 1080P 25fps, TDN, IR beam distance: 10~20M, 6mm fixed lens, IP66, 12DVC, PoE, ONVIF |

For more information:

Security East Asia
Security Pacific
Security India
Security Middle East & N.Africa
Security Russia
Security China
Security Korea

Tel: (852) 2405 2323
Tel: 1300 234 234
Tel: (91) 124 4975000
Tel: (971) 4454 1704
Tel: (7) 495 7979371
Tel: (86) 400 8800 330
Tel: (82) 2799 6114

www.black.honeywell.com
security.black@honeywell.com

Honeywell Security Group
Automation & Control Solutions
Honeywell International Inc.
www.security.honeywell.com



May 2015
© 2015 Honeywell International Inc.