

CALIPB-B(P)

www.black.honeywell.com

2 Megapixel High Definition TDN IP Box Camera

High Performance IP Camera at an Economical Price

Honeywell Black™ CALIPB-B(P) is a TDN IP box camera designed for small-scale surveillance application. Equipped with 2 Megapixel (1920H x 1080V) sensor, the camera delivers 1080P high resolution image at @25fps.

Advanced Features

Featuring True Day/Night with IR-cut filter, AGC and BLC functions, the camera provides superior image quality even in extreme low-light conditions, ensuring reliable 24/7 surveillance applications

The CALIPB-B(P) comes with a free CMS software CAL-CMS200 which provides rich functions such as video management, user management, storage, video output, etc. It's also compatible with the free mobile App software CALNVRView, which makes it easy to remotely access the NVR through any of the supported mobile devices including iPhone, iPad, or Android Smartphone.

Market Opportunities

Honeywell Black™ CALIPB-B(P) is designed for small surveillance application at a very budget-friendly price. Featuring 2 Megapixel (1920H x 1080V) sensor, 1080P high resolution image, H.264 video compression, TDN, AGC and BLC functions, optional PoE and ONVIF interface, it is ideal for hotels, chain stores, commercial offices, hospitals, residential areas, warehouse, and education facilities and so on.

FEATURES

- 2 Megapixel (1920H x 1080V), 1080P HD resolution
- Main-profile H.264 compression, support dual-stream
- 1080P real-time video output
- True Day / Night with automatic removable IR cut filter, DWDR
- Minimum illumination: Color: 0.01Lux, Black / White: 0.001 Lux
- Motion detection, Privacy Masking, Mirror, Flip, Anti-flicker
- Power: DC12V (CALIPB-B), DC12V/PoE (CALIPB-BP)
- ONVIF Compliant
- Free CAL-CMS200 central management software compatible
- CALNVRView: free Android and Apple app give you full access to your surveillance system anytime, anywhere



CALIPB-B(P)

www.black.honeywell.com

2 Megapixel High Definition TDN IP Box Camera

SPECIFICATIONS

Model	CALIPB-B	CALIPB-BP
Image Sensor	1/2.8" CMOS	
Effective Pixels	1920 x 1080	
Minimum Illumination	Color: 0.01Lux @ (F1.2,AGC ON) B/W: 0.001 Lux @ (F1.2,AGC ON)	
Shutter Speed	1/50 (1/60) Sec~1/10,000 Sec	
Lens Mount	CS interface	
Lens	DC drive	
Day & Night	TDN, IR cut removable	
DWDR	ON/OFF	
Auto Gain Control	ON/OFF, 0~100 adjustable	
Slow Shutter	None, Low, Medium, High	
NT Level (DNR)	0~5 adjustable	
Image Set	Brightness, Contrast, Saturation, Hue can be customized through CMS client and IE browser	
OSD Display	Time title, Channel title	
Image & Compression		
Video Compression	H.264 dual-stream	
Image Resolution & Frame Rate	Main Stream: 50Hz: 25fps (1920 x 1080), (1280 x 720) 60Hz: 30fps (920 x 1080), (1280 x 720) Sub Stream: 50Hz: 25fps (D1: 704 x 576), (CIF: 352 x 288) 60Hz: 30fps (D1: 704 x 480), (CIF: 352 x 244)	
Bite Rate	32Kbps~8Mbps (H.264), Image resolution lowest / lower / general / high / higher / highest selectable	
Bite Rate Type	CBR / VBR	
Audio Compression	G.711a	
Watermark	ON/OFF	
Network		
Network Interface Protocol	ONVIF 2.0	
Support Protocol	TCP/IP, HTTP, DHCP, DNS, DDNS, PPPoE, SMTP, NTP (HTTPS, SIP, 802.1x, IPv6)	
Browser	IE6.0 to IE11.0	
Alarm Trigger	Video motion, video blind, video loss, device disconnect	
Motion Detection	396 zones	
Privacy Masking (Region Cover)	4 zones	
Max. User Access	5 users	
General Functions	Anti-flicker, dual stream, heartbeat, password protection	
Interface		
Ethernet	1 RJ45 10M / 100M self adaptive Ethernet interface	
Audio Input / Output	1 CH 3.5mm Audio input / output	
Alarm Input / Output	2 CH Input, 1 CH Output	
Storage	Network Storage / SD card slot (max 32GB)	
USB Port	1 USB Port for Wi-Fi / 3G Extension	
Software		
CMS	CAL-CMS200	
Mobile View APP	CALNVRView for iPhone, iPad, Android	

CALIPB-B(P)

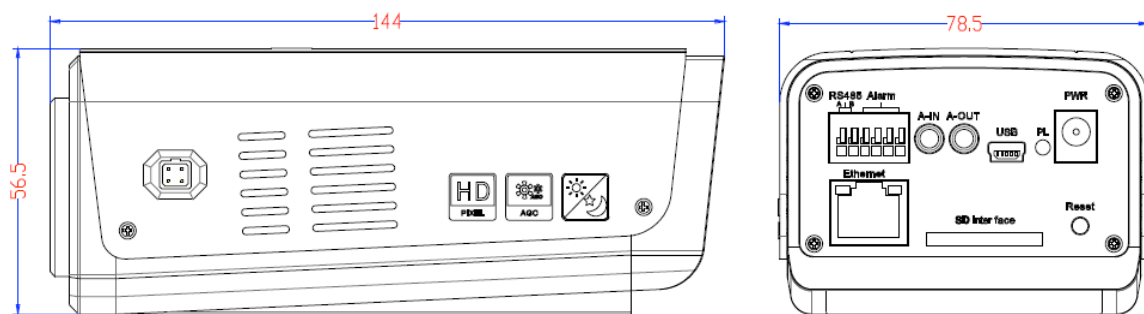
www.black.honeywell.com

2 Megapixel High Definition TDN IP Box Camera

Model	CALIPB-B	CALIPB-BP
Others		
Operating Temperature	-10°C~60°C	
Operating Humidity	Less than 90% (non-condensing)	
Power Supply	DC12V±10%	DC12V±10%, PoE
Power over Ethernet (PoE)	N/A	IEEE 802.3af
Dimension	144mm x78.5mm x56.5mm	
Weight	500g	
Certificate	CE, FCC, C-tick	

Note: Honeywell reserves the right, without notification, to make changes in product design and/or specifications.

DIMENSION



Unit: mm

ORDERING

CALIPB-B	IP Box Camera, 2 Megapixel, 1/2.8" CMOS, 1080P 25fps, TDN, 12DVC, ONVIF
CALIPB-BP	IP Box Camera, 2 Megapixel, 1/2.8" CMOS, 1080P 25fps, TDN, 12DVC, PoE, ONVIF

For more information:

Security East Asia
 Security Pacific
 Security India
 Security Middle East & N.Africa
 Security Russia
 Security China
 Security Korea

Tel: (852) 2405 2323
 Tel: 1300 234 234
 Tel: (91) 124 4975000
 Tel: (971) 4454 1704
 Tel: (7) 495 7979371
 Tel: (86) 400 8800 330
 Tel: (82) 2799 6114

www.black.honeywell.com
 security.black@honeywell.com

Honeywell Security Group
 Automation & Control Solutions
 Honeywell International Inc.
 www.security.honeywell.com



May 2015
 © 2015 Honeywell International Inc.