

## CAIPDC330TI1WV-V/-PV

[www.black.honeywell.com](http://www.black.honeywell.com)

### 1080P High Definition Vandal-Proof WDR TDN IR IP Dome Camera

Honeywell Black™ CAIPDC330TI1WV-V/-PV network camera combines world-class imaging and camera technology with the IP networking innovation. It delivers high definition images in 1080P (1920 x 1080) resolution. With high quality surveillance imaging, the CAIPDC330TI1WV-V/-PV is an ideal selection for facilities that require high video standards.

At low illumination or complete darkness, the CAIPDC330TI1WV-V/-PV uses its built-in IR LED to provide useable black and white video with a viewing range of up to 20m from the camera. Also with Wide Dynamic Range (WDR), the CAIPDC330TI1WV-V/-PV is ideal for 24 x7 surveillance in facilities where there is high illumination contrast between background and foreground.

By applying the H.264 video compression technology, the CAIPDC330TI1WV-V/-PV streams high quality images at optimized bandwidth which reduces data volume effectively to save storage space. It also supports the ONVIF specification for high interoperability between network video products.

Power over Ethernet (PoE) is available – the CAIPDC330TI1WV-V/-PV supports PoE (IEEE 802.3af) that, power can be supplied via the network by using the standard Ethernet cable. It increases installation flexibility, reduces installation time and costs, and eliminates the need for complicated wiring.

#### MARKET OPPORTUNITIES

Featuring 1080P image resolution, WDR, TDN, H.264 video compression, builtin IR LED, ONVIF interface and PoE function, the CAIPDC330TI1WV-V/-PV optimizes surveillance performance for applications that require high image quality at minimal bandwidth. Together with a vandal-proof housing, this IP camera is a cost-effective IP solution for commercial buildings, shopping centers, factories, warehouses, and so forth.

#### FEATURES

- 1080P high definition resolution at 25/30fps
- H.264, MPEG-4, MJPEG simultaneously
- Built in IR LED; IR distance up to 20m
- Wide Dynamic Range
- True Day/Night with IR-cut filter
- Motion detection; privacy masking
- 12VDC & 24VAC
- IP66
- PoE (CAIPDC330TI1WV-PV only)
- Compatible with CAIPC-CMS100 central management software
- ONVIF compliant



Driving IP-based physical security through global standardization

# CAIPDC330TI1WV-V/-PV

www.black.honeywell.com

## 1080P High Definition Vandal-Proof WDR TDN IR IP Dome Camera

### SPECIFICATIONS

Model	CAIPDC330TI1WV-V/-PV
<b>Camera</b>	
Image Sensor	3 Megapixel, 1/3" CMOS
Effective Pixels	2048 (H) x 1536 (V)
Minimum Illumination	Color: 0.3 Lux @ F1.2, AGC ON; B/W: 0.05 Lux @ F1.2, AGC ON 0 Lux (IR ON)
Lens	f=2.8 - 12mm vari-focal
Shutter Speed	1/5 - 1/10,000 Sec
Day/Night	TDN, IR cut removable
WDR	Extended WDR. Up to 100dB
IR Beam Distance	10 - 20m
Image Set	Saturation, Brightness, Sharpness and Contrast setup can be customized through IE Browser
<b>IP Specification</b>	
Video Compression	H.264, MPEG-4, MJPEG Multiple video streams
Image Resolution	1920 x 1080 @ 25/30fps
Bit Rate	32K - 8Mbps (H.264) / 32K - 16Mbps (MPEG-4)
Network Interface Protocol	ONVIF
Ethernet	10/100Mbps self-adaptive Ethernet interface
Supported Protocol	TCP/IP, UDP, RTP/RTCP, RTSP, HTTP, SMTP, DNS, DDNS, DHCP, FTP, NTP, PPPOE, UPNP (SNMP, HTTPS, SIP optional)
Audio Compression	G.711
Audio Compression Rate	64Kbps
Audio Input	Mic/Line in, bi-directional audio, frequency responsibility: 50 - 16000Hz, S/N>60dB
Audio Output	Line out PWL Resistance: 600 Ohm
Address Assignment	Static IP address, dynamic IP address
Remote Setup	Camera video and network can be set via IE browser
<b>Recording</b>	
Pre-record	30s
Recording Mode	Record, Schedule, Triggered
Playback	Synchronous playback, fast forward, forward and pause etc
Local Storage	SD card
SD card Storage	Support max 32GB

# CAIPDC330TI1WV-V/-PV

www.black.honeywell.com

## 1080P High Definition Vandal-Proof WDR TDN IR IP Dome Camera

### SPECIFICATIONS

Model	CAIPDC330TI1WV-V/-PV
<b>Alarm and Event</b>	
Alarm Output	1 channel relay output
Alarm Input	1 channel. 12VDC, High level
Alarm Trigger	Intelligent video motion detection and external input
Alarm Event	Event server: FTP server, SMTP server, web browser
Continuous Alarm Time	10s, 30s, 1 min, 5 mins, 10 mins, Non-Stop
Motion Detection	12 zones
Privacy Masking	3 zones
Alarm Sensitivity Setup	Low, Medium, High
Event / Log	Alarm input, video lost, motion detection, video shelter
<b>Electrical</b>	
Power Supply	12VDC & 24VAC
Power over Ethernet	IEEE 802.3af ( CAIPDC330TI1WV-PV only)
Power Consumption	IR Off: 4W; IR On: 9W
<b>Mechanical</b>	
Dimensions	Φ152.7 x 128.3(H) mm
Weight	1.28kg
Protection	IP66
RS485	1 channel
<b>Environmental</b>	
Operating Temperature	-10°C to +60°C
Operating Humidity	0% to 90% (non-condensing)
<b>Viewing System</b>	
Browser	IE 6.0 or above
<b>Software</b>	
Search and Installation	IP Finder
CMS	Honeywell Black™ CAIPC-CMS100
<b>Regulatory</b>	
Certification	CE, FCC, C-tick

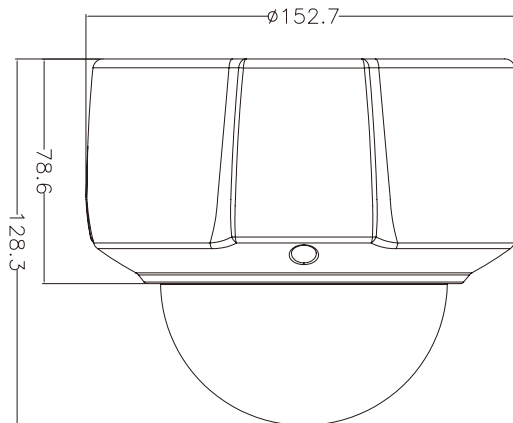
Note: Honeywell reserves the right, without notification, to make changes in product design or specifications.

## CAIPDC330TI1WV-V/-PV

[www.black.honeywell.com](http://www.black.honeywell.com)

### 1080P High Definition Vandal-Proof WDR TDN IR IP Dome Camera

#### DIMENSIONS



(Unit: mm)

#### ORDERING

CAIPDC330TI1WV-V	1080P IR Vandal-proof IP Dome Camera. IR distance 10 - 20m. Vari-focal lens 2.8 - 12mm, WDR, TDN, H.264, 12VDC & 24VAC, ONVIF
CAIPDC330TI1WV-PV	1080P IR Vandal-proof IP Dome Camera. IR distance 10 - 20m. Vari-focal lens 2.8 - 12mm, WDR, TDN, H.264, 12VDC & 24VAC, PoE, ONVIF

For more information:

Security East Asia  
Security Pacific  
Security India  
Security Middle East & N.Africa  
Security Russia  
Security China  
Security Korea

Tel: (852) 2405 2323  
Tel: 1300 234 234  
Tel: (91) 124 4975000  
Tel: (971) 4454 1704  
Tel: (7) 495 7979371  
Tel: (86) 400 8800 330  
Tel: (82) 2799 6114

[www.black.honeywell.com](http://www.black.honeywell.com)  
[security.black@honeywell.com](mailto:security.black@honeywell.com)

Honeywell Security Group  
Automation & Control Solutions  
Honeywell International Inc.  
[www.security.honeywell.com](http://www.security.honeywell.com)



July 2014  
© 2014 Honeywell International Inc.