

CAIPDC330TI1W-4/6/8

www.black.honeywell.com

1080P High Definition WDR TDN IR IP Dome Camera

Honeywell Black™ CAIPDC330TI1W-4/6/8 network camera combines world-class imaging and camera technology with the IP networking innovation. It delivers high definition images in 1080P (1920x1080) resolution. With high quality surveillance imaging, the CAIPDC330TI1W-4/6/8 is an ideal selection for facilities that require high video standards.

At low illumination or complete darkness, the CAIPDC330TI1W-4/6/8 uses its built-in IR LED to provide useable black and white video with a viewing range of up to 15m from the camera. Also with Wide Dynamic Range (WDR), the CAIPDC330TI1W-4/6/8 is ideal for 24 x7 surveillance in facilities where there is high illumination contrast between background and foreground.

By applying the H.264 video compression technology, the CAIPDC330TI1W-4/6/8 streams high quality images at optimized bandwidth which reduces data volume effectively to save storage space. It also supports the ONVIF specification for high interoperability between network video products.

Market Opportunities

Featuring 1080P image resolution, WDR, TDN, H.264 video compression, built-in IR LED, and ONVIF interface, the CAIPDC330TI1W-4/6/8 optimizes surveillance performance for applications that require high image quality at minimal bandwidth. Available in 4mm, 6mm and 8mm fixed lens, this IP camera is a cost-effective IP solution for commercial buildings, shopping centers, factories, warehouses, and so forth.

FEATURES

- 1080P high definition resolution at 25/30fps
- H.264, MPEG-4, MJPEG simultaneously
- Built-in 3rd generation IR LEDs provide clear images at low lux environments IR distance up to 15m
- Wide Dynamic Range
- True Day/Night with IR-cut filter
- Motion detection; privacy masking
- IP66
- 12VDC
- Compatible with CAIPC-CMS100 central management software
- ONVIF compliant



Driving IP-based physical security through global standardization

CAIPDC330TI1W-4/6/8

www.black.honeywell.com

1080P High Definition WDR TDN IR IP Dome Camera

SPECIFICATIONS

Model	CAIPDC330TI1W-4/6/8
Camera	
Image Sensor	3 Megapixel, 1/3" CMOS
Effective Pixels	2048 (H) x 1536 (V)
Minimum Illumination	Color: 0.3 Lux @ F1.2, AGC ON; B/W: 0.05 Lux @ F1.2, AGC ON 0 Lux (IR ON)
Lens	CAIPDC330TI1W-4: f=4mm CAIPDC330TI1W-6: f=6mm CAIPDC330TI1W-8: f=8mm
Shutter Speed	1/5 - 1/10,000 Sec
Day/Night	TDN, IR cut removable
WDR	Extended WDR. Up to 100dB
IR Beam Distance	10 - 15m
Image Set	Saturation, Brightness, Sharpness and Contrast setup can be customized through IE Browser
IP Specification	
Video Compression	H.264, MPEG-4, MJPEG Multiple video streams
Image Resolution	1920 x 1080 @ 25/30fps
Bit Rate	32K - 8Mbps (H.264) / 32K - 16Mbps (MPEG-4)
Network Interface Protocol	ONVIF
Ethernet	10/100Mbps self-adaptive Ethernet interface
Supported Protocol	TCP/IP, UDP, RTP/RTCP, RTSP, HTTP, SMTP, DNS, DDNS, DHCP, FTP, NTP, PPPOE, UPNP (SNMP, HTTPS, SIP optional)
Address Assignment	Static IP address, dynamic IP address
Remote Setup	Camera video and network can be set via IE browser
Recording	
Pre-record	30s
Recording Mode	Record, Schedule, Triggered
Playback	Synchronous playback, fast forward, forward and pause etc
Local Storage	SD card
SD card Storage	Support max 32GB
Alarm and Event	
Alarm Trigger	Intelligent video motion detection
Alarm Event	Event server: FTP server, SMTP server, web browser
Motion Detection	12 zones
Privacy Masking	3 zones
Continuous Alarm Time	10s, 30s, 1 min, 5 mins, 10 mins, Non-Stop
Alarm Sensitivity Setup	Low, Medium, High
Event / Log	Alarm input, video lost, motion detection, video shelter

CAIPDC330TI1W-4/6/8

www.black.honeywell.com

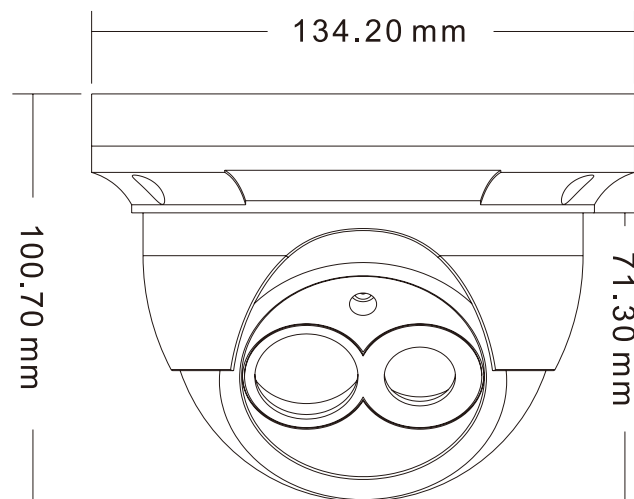
1080P High Definition WDR TDN IR IP Dome Camera

SPECIFICATIONS

Model	CAIPDC330TI1W-4/6/8
Electrical	
Power Supply	12VDC
Power Consumption	IR Off: 3W; IR On: 6W
Mechanical	
Dimensions	Φ134.2 x 100.7 (H) mm
Weight	610g
Protection	IP66
RS485	1 channel
Environmental	
Operating Temperature	-10°C to +60°C
Operating Humidity	0% to 90% (non-condensing)
Viewing System	
Browser	IE 6.0 or above
Software	
Search and Installation	IP Finder
CMS	Honeywell Black™ CAIPC-CMS100
Regulatory	
Certification	CE, FCC, C-tick

Note: Honeywell reserves the right, without notification, to make changes in product design or specifications.

DIMENSIONS



unit: mm

CAIPDC330TI1W-4/6/8

www.black.honeywell.com

1080P High Definition WDR TDN IR IP Dome Camera

ORDERING

CAIPDC330TI1W-4	1080P IR IP Dome Camera. IR distance 10 - 15m. F=4mm, WDR, TDN, H.264, 12VDC, ONVIF
CAIPDC330TI1W-6	1080P IR IP Dome Camera. IR distance 10 - 15m. F=6mm, WDR, TDN, H.264, 12VDC, ONVIF
CAIPDC330TI1W-8	1080P IR IP Dome Camera. IR distance 10 - 15m. F=8mm, WDR, TDN, H.264, 12VDC, ONVIF

For more information:

Security East Asia
Security Pacific
Security India
Security Middle East & N.Africa
Security Russia
Security China
Security Korea

Tel: (852) 2405 2323
Tel: 1300 234 234
Tel: (91) 124 4975000
Tel: (971) 4454 1704
Tel: (7) 495 7979371
Tel: (86) 400 8800 330
Tel: (82) 2799 6114



www.black.honeywell.com
security.black@honeywell.com

Honeywell Security Group
Automation & Control Solutions
Honeywell International Inc.
www.security.honeywell.com



July 2014
© 2014 Honeywell International Inc.